

ACWGM006-060-075 AC Gearmotor

FEATURES

- **AC Gearmotor**
- **60mm Motor Diameter**
- **Up to 354 oz-in of Torque**
- **Fourteen Gear Ratios from 3.6 to 180**
- **Can be Customized for**
 - **Winding Current**
 - **Shaft Options**
 - **Cables and Connector Adders**



DESCRIPTION

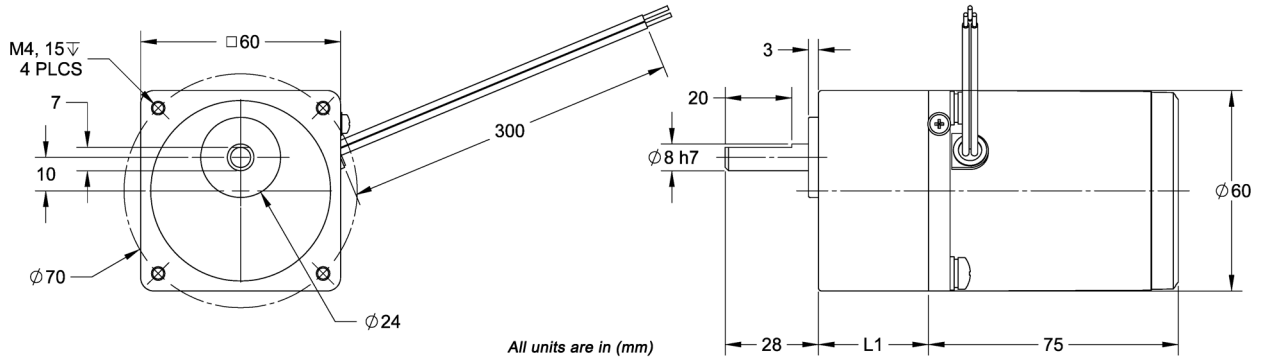
Anaheim Automation's AC Gearmotors come in a variety of starting torques, ending torques and current. The ACWGM006-060-075 AC Gearmotor has a starting torque of 6 oz-in. This series is available in fourteen gear ratios ranging from 3.6 to 180. These motors run at up to 500 RPM with single phase 110 VAC, 60Hz. The ACWGM006-060-075 offers torque ranges up to 354 oz-in. Other models are available to provide even higher torque ranges. Custom options for the AC Gearmotor line include optimizing the maximum speed, torque, current, voltage, cabling, wiring, connectors, and shaft modifications.

SPECIFICATIONS

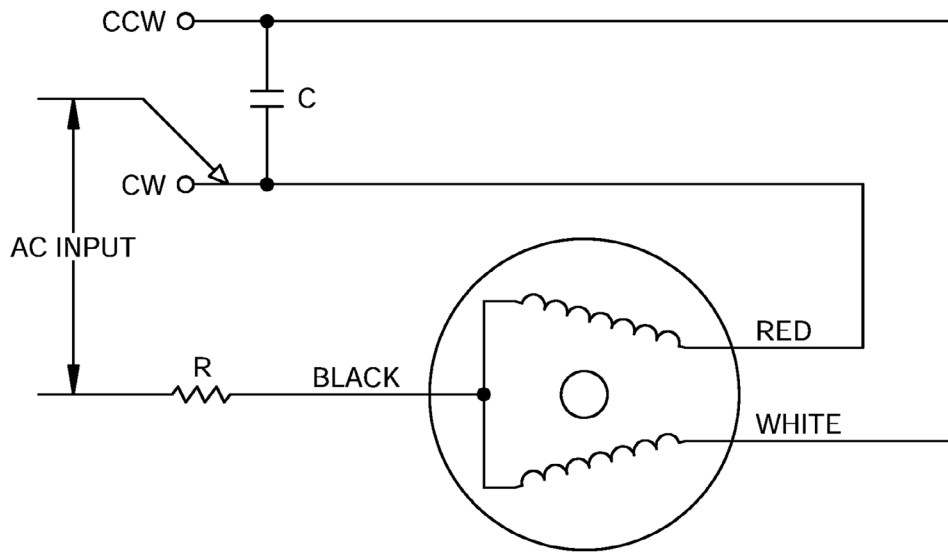
Model #	Input Voltage (VAC)	Gear Ratio	Power (W)	Current (A)	Motor Speed (RPM)	Start Torque (oz-in)	Rated Torque (oz-in)	Motor Diameter (mm)	Motor Length (mm)	Weight (lbs)
ACWGM006-060-075-110-1500-R3.6	110	3.6	6	0.18	500	6.37	15.58	60	107	2.20
ACWGM006-060-075-110-1500-R6	110	6	6	0.18	300	6.37	25.49	60	107	2.20
ACWGM006-060-075-110-1500-R9	110	9	6	0.18	200	6.37	39.65	60	107	2.20
ACWGM006-060-075-110-1500-R10	110	10	6	0.18	180	6.37	43.90	60	107	2.20
ACWGM006-060-075-110-1500-R15	110	15	6	0.18	120	6.37	65.14	60	107	2.20
ACWGM006-060-075-110-1500-R18	110	18	6	0.18	100	6.37	70.81	60	117	2.22
ACWGM006-060-075-110-1500-R20	110	20	6	0.18	90	6.37	77.89	60	117	2.22
ACWGM006-060-075-110-1500-R30	110	30	6	0.18	60	6.37	117.54	60	117	2.22
ACWGM006-060-075-110-1500-R36	110	36	6	0.18	50	6.37	141.61	60	117	2.22
ACWGM006-060-075-110-1500-R40	110	40	6	0.18	45	6.37	155.77	60	117	2.22
ACWGM006-060-075-110-1500-R60	110	60	6	0.18	30	6.37	212.42	60	117	2.22
ACWGM006-060-075-110-1500-R90	110	90	6	0.18	20	6.37	317.21	60	117	2.22
ACWGM006-060-075-110-1500-R120	110	120	6	0.18	15	6.37	354.03	60	117	2.22
ACWGM006-060-075-110-1500-R180	110	180	6	0.18	10	6.37	354.03	60	117	2.22

L010490

DIMENSION



WIRING INFORMATION



SPECIFICATIONS

Capacitor: $\mu\text{F}/\text{VAC}$	2.5 / 250	Phase:	Single-Phase
Frequency:	60Hz	AC Motor Type:	Reversible
Radial Play:	26.46lb - Force @ 20mm	Operating Temperature	10°F to 131°F
Thrust Play:	6.61 lb - Force	Humidity:	90%